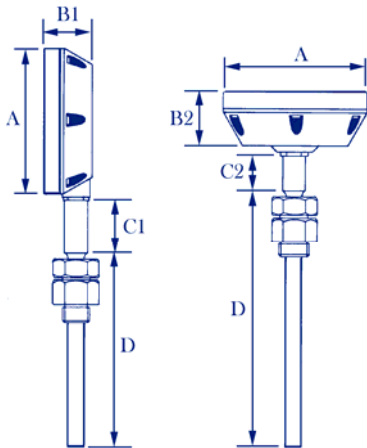


THERMOMETERS



93

EXHAUST GAS PYROMETER



Part No 93

EXHAUST GAS PYROMETER WITH VERTICAL OR BACK CONNECTION

The 93 marine exhaust gas pyrometers are specially designed to measure the temperature of engine exhaust gas. These instruments are robust enough to withstand the vibrations, temperatures and the environment of a diesel engine.

They are supplied with an adjustable stem gland to 1/2" or 3/4" B.S.P. male thread.

Features & Benefits

- Range 50 to 650° C&F.
- Mercury free design.
- Silicone oil filled case.
- Supplied with adjustable gland.

MODEL	DIAL	RANGE	CONNECTION	A	B	C	D
93/100/0	100mm	50 to 650°C&F	VERTICAL	120	37	55	100
93/100/1	100mm	50 to 650°C&F	VERTICAL	120	37	55	150
93/100/2	100mm	50 to 650°C&F	VERTICAL	120	37	55	200
93/100/3	100mm	50 to 650°C&F	VERTICAL	120	37	55	250
93/100/4	100mm	50 to 650°C&F	VERTICAL	120	37	55	300
93/100/5	100mm	50 to 650°C&F	VERTICAL	120	37	55	350
93/100/6	100mm	50 to 650°C&F	VERTICAL	120	37	55	400
93/100/7	100mm	50 to 650°C&F	VERTICAL	120	37	55	450
93/100/8	100mm	50 to 650°C&F	VERTICAL	120	37	55	500
93/100/9	100mm	50 to 650°C&F	VERTICAL	120	37	55	600
93/110/0	100mm	50 to 650°C&F	BACK	120	45	40	100
93/110/1	100mm	50 to 650°C&F	BACK	120	45	40	150
93/110/2	100mm	50 to 650°C&F	BACK	120	45	40	200
93/110/3	100mm	50 to 650°C&F	BACK	120	45	40	250
93/110/4	100mm	50 to 650°C&F	BACK	120	45	40	300
93/110/5	100mm	50 to 650°C&F	BACK	120	45	40	350
93/110/6	100mm	50 to 650°C&F	BACK	120	45	40	400
93/110/7	100mm	50 to 650°C&F	BACK	120	45	40	450
93/110/8	100mm	50 to 650°C&F	BACK	120	45	40	500
93/110/9	100mm	50 to 650°C&F	BACK	120	45	40	600